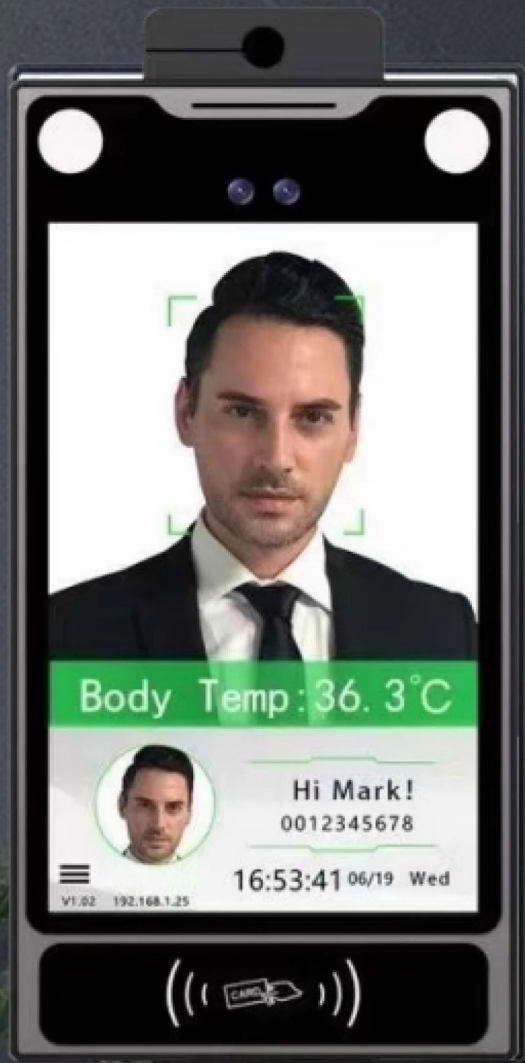
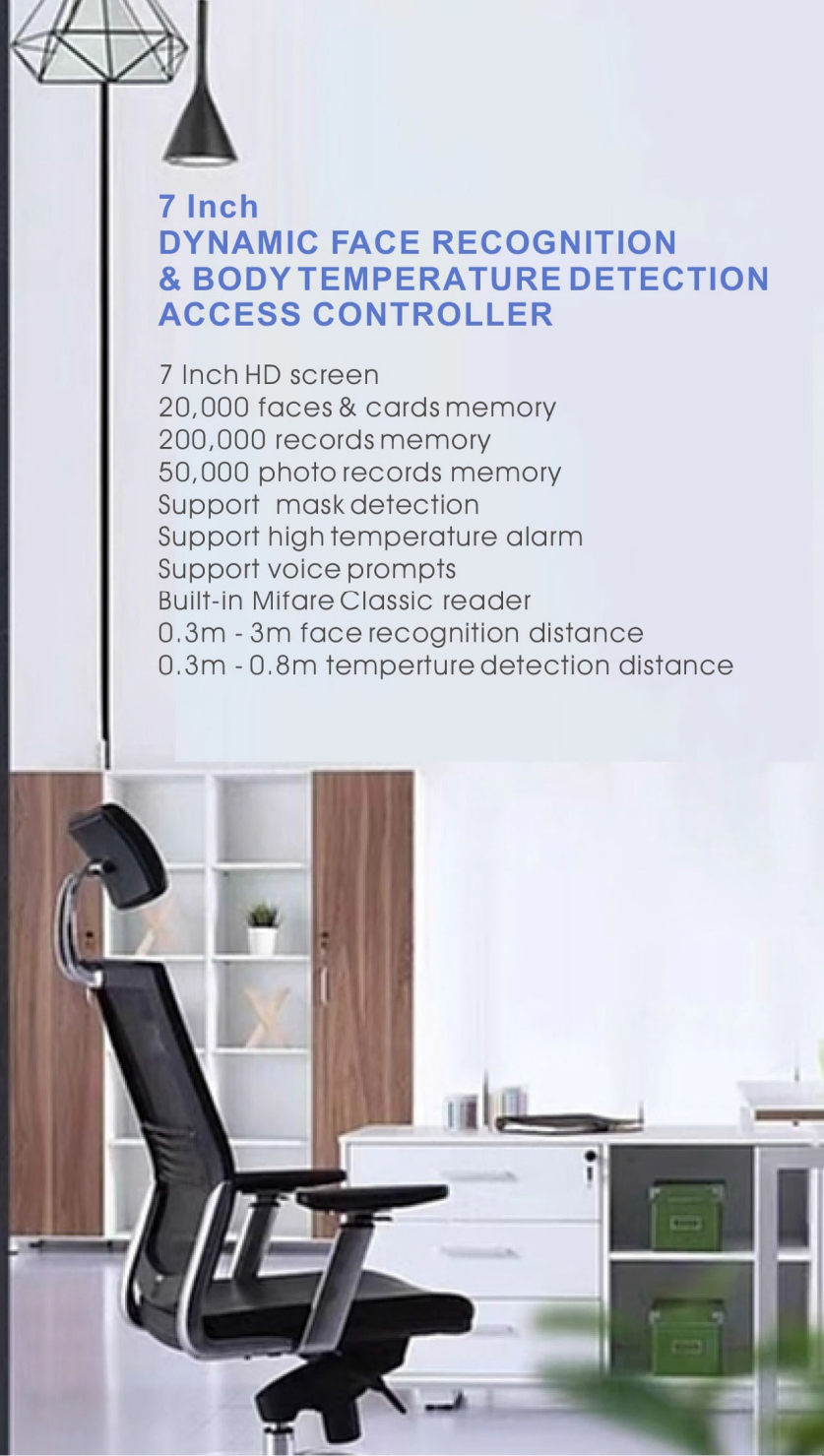


# ICON




## 7 Inch DYNAMIC FACE RECOGNITION & BODY TEMPERATURE DETECTION ACCESS CONTROLLER

- 7 Inch HD screen
- 20,000 faces & cards memory
- 200,000 records memory
- 50,000 photo records memory
- Support mask detection
- Support high temperature alarm
- Support voice prompts
- Built-in Mifare Classic reader
- 0.3m - 3m face recognition distance
- 0.3m - 0.8m temperature detection distance



## Multi-Function List

 Megapixel HD Camera	 HD Display Screen	 High Speed Identification	 Accuracy Rate: 99.9%	 20,000 Faces Capacity	 200,000 Records	 Binocular Liveness Detection	 U Disk To Export Data	 Multiple Communication Modes	 Access Control Function
 Safety Helmet Identification	 Voice Prompt	 Online Update	 Online Update	 Local Storage	 Multiple People Simultaneous Recognition	 LINUX System	 1:N/1:1 Comparison	 Wide Dynamic Strong Light Suppression	 Free Docking Platform

# Product Parameter

**Model :**

7 inch dynamic face recognition + Temperature detection access controller

**Material :**

Plastic Case (IP65)

**Operation System :**

LINUX

**Camera :**

Wide Dynamic Binocular 2 Million HD Camera

**Liveness Detection :**

Support

**Authentication Type :**

1:N, 1:1

**Identification Time :**

> = 0.5 seconds

**Memory Capacity :**

20,000 Faces & Cards / 200,000 Records / 50,000 Photo Records

**Communication :**

TCP/IP (Option :WiFi)

**Wiegand Interface :**

1 x Input or Output (26/34bit)

**Working Voltage :**

DC12V/2A

**Working Temperature :**

-10°C to 70°C

**Working Humidity :**

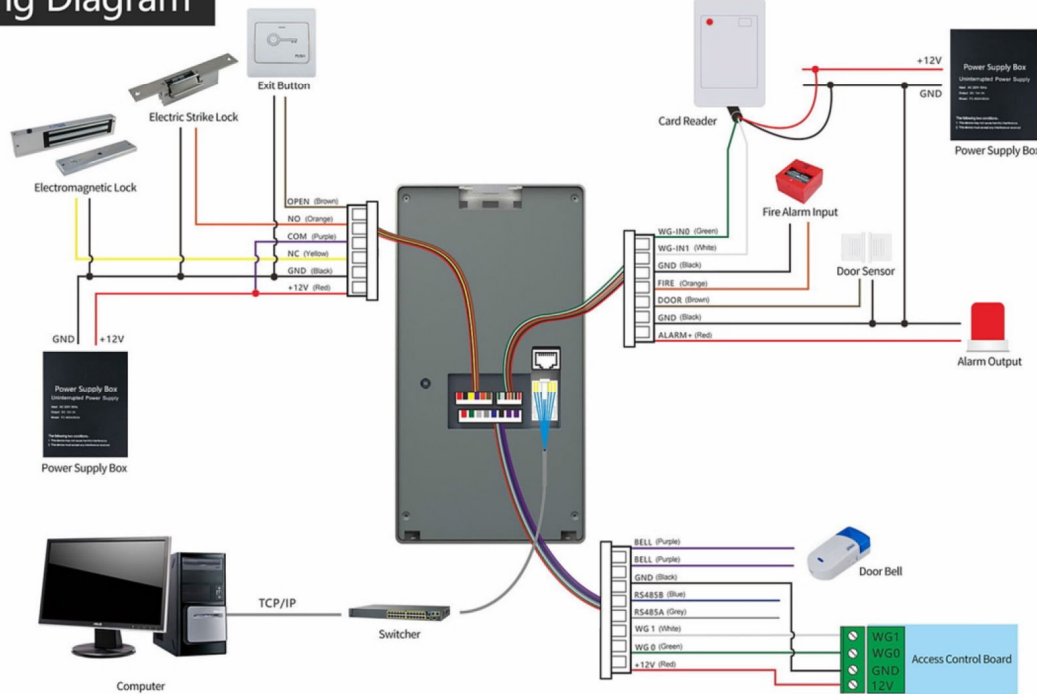
10% to 90% RH

**Dimensions :**

215mm (H) x 112mm (W) x 27mm (D)



## Wiring Diagram



**Wiring Requirements:**

- AC220V power wires: recommend to use 3x1.0mm (or above) wires to prevent electricity leakage. The ground wire of the power wire is recommended to be grounded.
- Electric lock wire: must use 2x1.0mm (or above) wire, the maximum length of the cable shall not exceed 50 meters.
- TCP/IP communication wire: please use standard network cable, the maximum length of the cable shall not exceed 100 meters.
- Door sensor and exit button wire: recommend to use 2X0.5mm (or above) wire, the maximum length of the cable shall not exceed 100 meters.

**REMARK**

- ▼ Power on, locked: (electric bolt lock or electromagnetic lock) correct connection: the positive electrode of the electric lock connects to NO of the output part of the controller. The negative electrode of the electric lock connects to the GND of the power supply. The COM of the controller connect to +12V of the power supply.
- ▼ Power on, unlocked: (electric control lock or electric lock port) correct connection: the positive electrode of the electric lock connects to NO of the output part of the controller. The negative electrode of the electric lock connects to the GND of the power supply. The COM of the controller connect to +12V of the power supply.

# ICON





## 7 Inch DYNAMIC FACE RECOGNITION ACCESS CONTROLLER

- 7 Inch HD screen
- 20,000 faces & cards memory
- 200,000 records memory
- 50,000 photo records memory
- Support face recognition with mask
- Support voice prompts
- Built-in Mifare Classic reader
- 0.3m - 3m face recognition distance



## Multi-Function List

 Megapixel HD Camera	 HD Display Screen	 High Speed Identification	 Accuracy Rate: 99.9%	 20,000 Faces Capacity	 200,000 Records	 Binocular Liveness Detection	 U Disk To Export Data	 Multiple Communication Modes	 Access Control Function
 Safety Helmet Identification	 Voice Prompt	 Online Update	 Online Update	 Local Storage	 Multiple People Simultaneous Recognition	 LINUX System	 1:N/1:1 Comparison	 Wide Dynamic Strong Light Suppression	 Free Docking Platform

# Product Parameter

**Model :**  
7 inch dynamic face recognition access controller

**Material :**  
Plastic Case

**Operation System :**  
LINUX

**Camera :**  
Wide Dynamic Binocular 2 Million HD Camera

**Liveness Detection :**  
Support

**Authentication Type :**  
1:N, 1:1

**Identification Time :**  
> = 0.5 seconds

**Memory Capacity :**  
20,000 Faces & Cards / 200,000 Records / 50,000 Photo Records

**Communication :**  
TCP/IP (Option :WiFi)

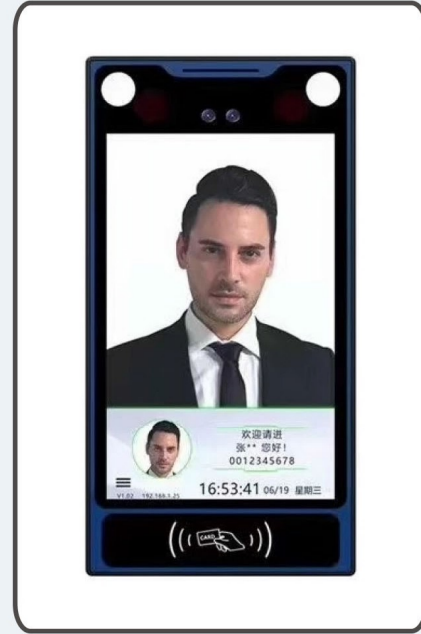
**Wiegand Interface :**  
1 x Input or Output (26/34bit)

**Working Voltage :**  
DC 12V/2A

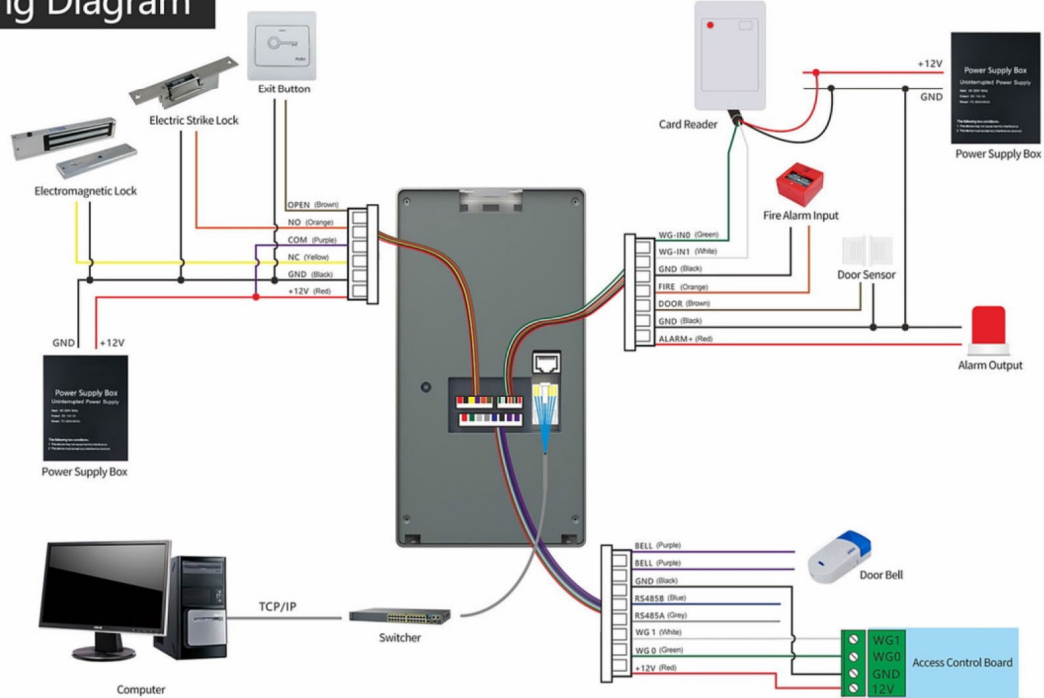
**Working Temperature :**  
-10°C to 70°C

**Working Humidity :**  
10% to 90% RH

**Dimensions :**  
215mm (H) x 112mm (W) x 27mm (D)



## Wiring Diagram



### Wiring Requirements:

- AC220V power wire: recommend to use 3x1.0mm (or above) wires to prevent electricity leakage. The ground wire of the power wire is recommended to be grounded.
- Electric lock wire: must use 2x1.0mm (or above) wire, the maximum length of the cable shall not exceed 50 meters.
- TCP/IP communication wire: please use standard network cable, the maximum length of the cable shall not exceed 100 meters.
- Door sensor and exit button wire: recommend to use 2X0.5mm (or above) wire, the maximum length of the cable shall not exceed 100 meters.

### REMARK

- ▼ Power on, locked: (electric bolt lock or electromagnetic lock) correct connection: the positive electrode of the electric lock connects to NC of the output port of the controller. The negative electrode of the electric lock connects to the GND of the power supply. The COM of the controller connect to +12V of the power supply.
- ▼ Power on, unlocked: (electric control lock or electric lock port) correct connection: the positive electrode of the electric lock connects to NO of the output port of the controller. The negative electrode of the electric lock connects to the GND of the power supply. The COM of the controller connect to +12V of the power supply.